



Unical Works Co., Ltd. was established in 1999, with a capital of Baht 1 million by a strategic vision of the management. We initiated the production of machining service for automotive industrial.

The vision focused mainly in continuously improved to designed and manufacturing industrial equipped, automotive industry such as Jig, Fixture, handling equipment, special equipment and more.

In 2004, we were accredited by ISO 9001 and ISO 14001 in 2010 respectively which further heightens customer confidence. The world-class quality standard ensures that very single piece of product produced passes quality control in every process of production line to the delivery. Furthermore, in 2011 we expanded our capital to 50 million Baht in order to improve our more ability and also prepare to the growth market in the future.

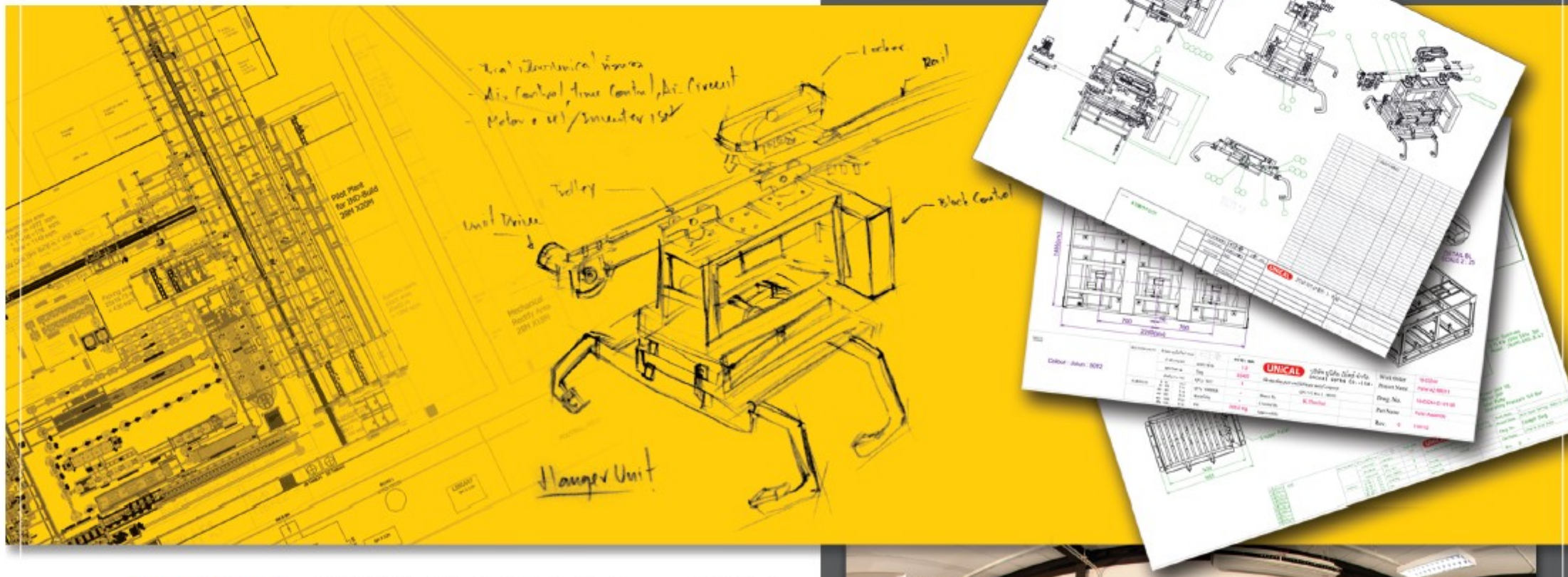
Unical works Co., Ltd. located in Chonburi province of Thailand. with the area We are committed to continuous development in order to meet all customer target include the high technology that will be innovated in the future.

About Us

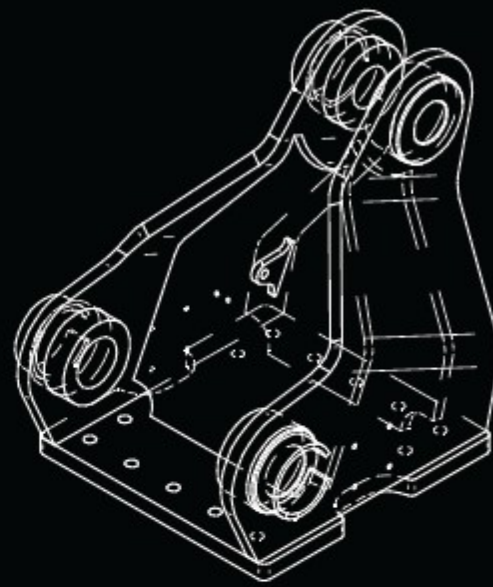
FLOW CHART



Flow Chart



Format Support : SolidWorks File (*.sldprt ; *.sldasm ; *.slddrw)
 : Part (*.prt ; *.sldprt)
 : Assembly (*.asm ; *.sldasm)
 : Drawing (*.drw ; *.slddrw)
 : DXF (*.dxf)
 : DWG (*.dwg)
 : Parasolid (*.x_t ; *.xmt_txt ; *.xmt_bin)
 : STEP AP203/214 (*.step ; *.stp)



UNICAL will make your i-dea to dimension. When designing your machine, we use the latest technology to provide you with the most up-to-date and efficient system possible. Each system at **UNICAL** is designed utilizing the latest in computer-aided design by SolidWorks software is licensed.

Machine Design



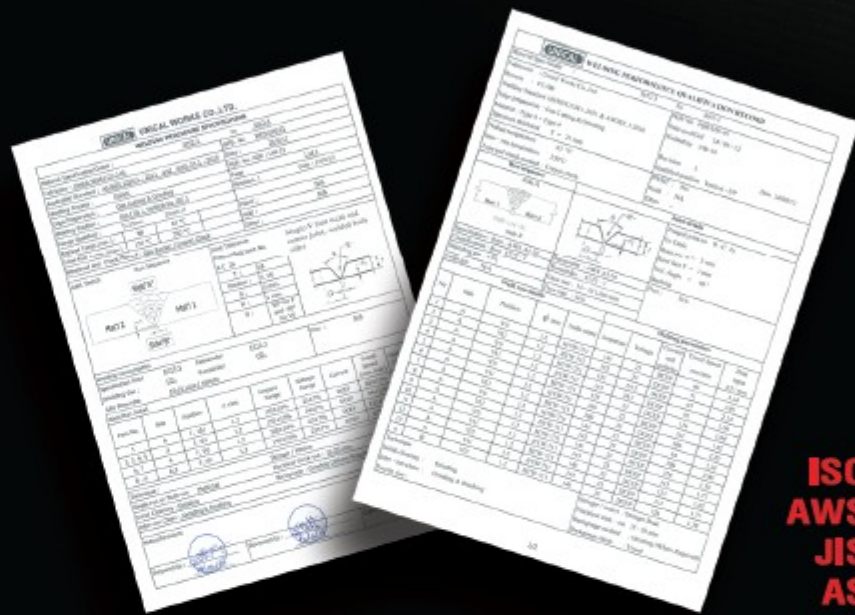
UNICAL has expertise in the production part for all various metals. Starting form part of the preparatory.fabricating, machining and the work of high-quality painting. Furthermore, we provide the standard of part involved to meet the customers require.



Production



UNICAL's Quality assurance team comprise whose roles are divided such that the responsibilities cover every production process. We foresee the importance of the quality from selection of raw material, work in process and to the finished goods. The quality control is being enforced in every work process by a professional QA team who has been specially trained to utilize quality measurement equipment with a single goal of delivering in order to meet customer target.



ISO Standard
AWS Standard
JIS Standard
AS Standard



ISO 9000 Certified In 2004 ISO 14000 Certified In 2010

QA/QC



UNICAL highly trained installation crews take pride in performing clean, safe, quality installations that are structurally sound and dependable. This allows us to provide our customers with:

- The capability of handling multiple projects at one time
- On site fabrication and welding
- Service calls on equipment



Installation & Service

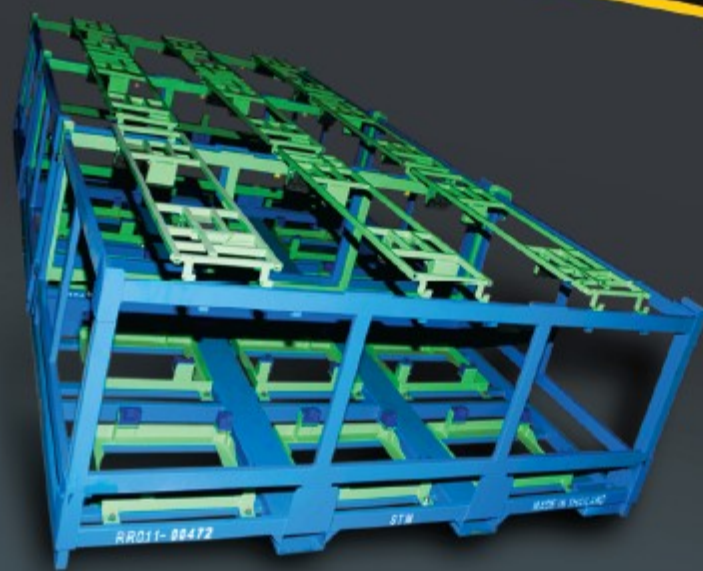
PRODUCT



Turn key project



Industrial support



logistics product



UNICAL

UNICAL provide a wide range of mechanical part, hydraulic system, pneumatic system PLC circuit especially automotive industrial and more. We have well ability for Industrial support, Turn key project, and logistics product. High Steel's technical capabilities are comprehensive. With Professional Engineers, our Engineering Department prepares shop detail drawings, using sophisticated design software in a proprietary computerized program. Engineering also teams with Field Operations to prepare erection procedures.

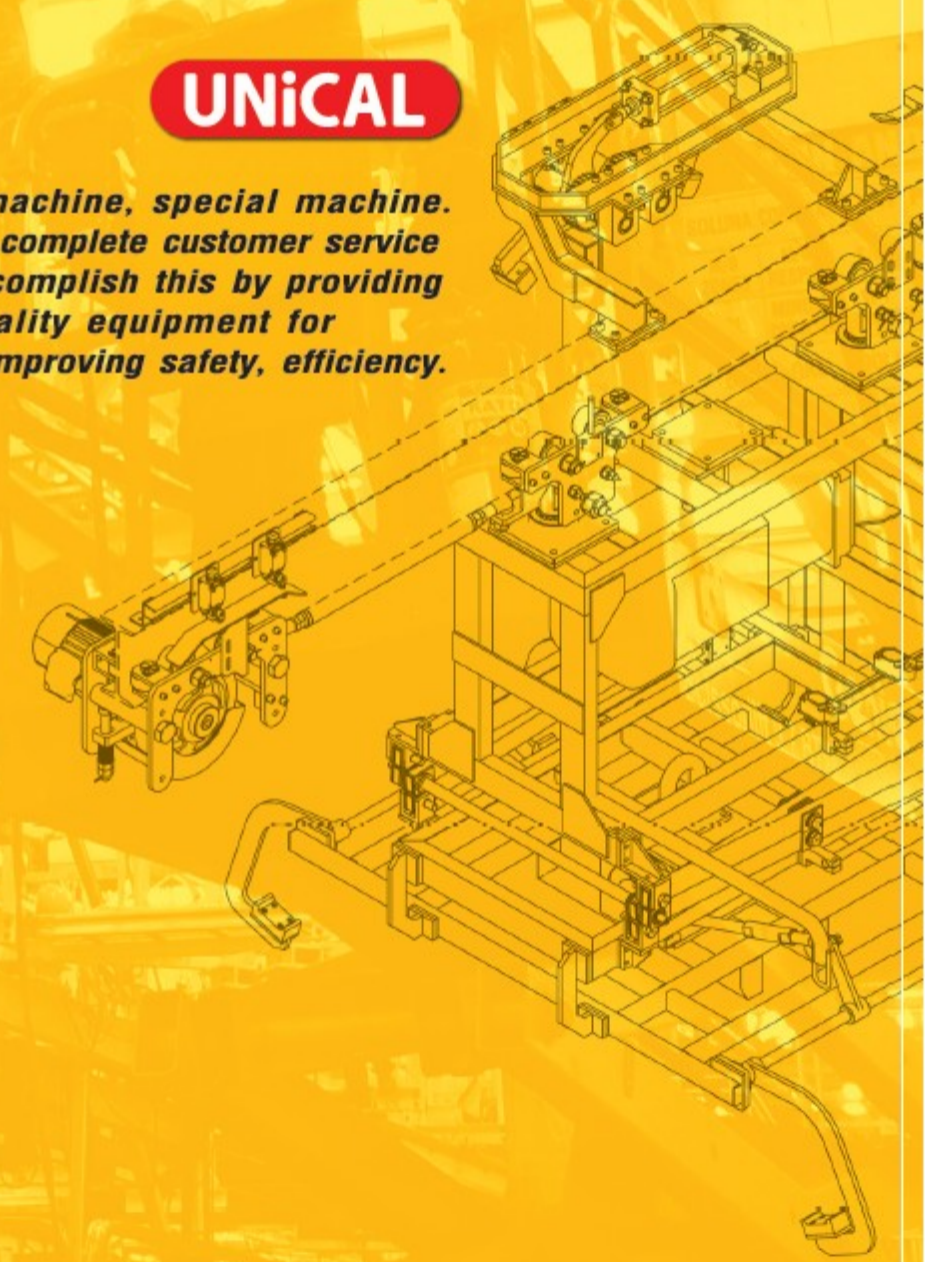


Handling Machine



UNICAL

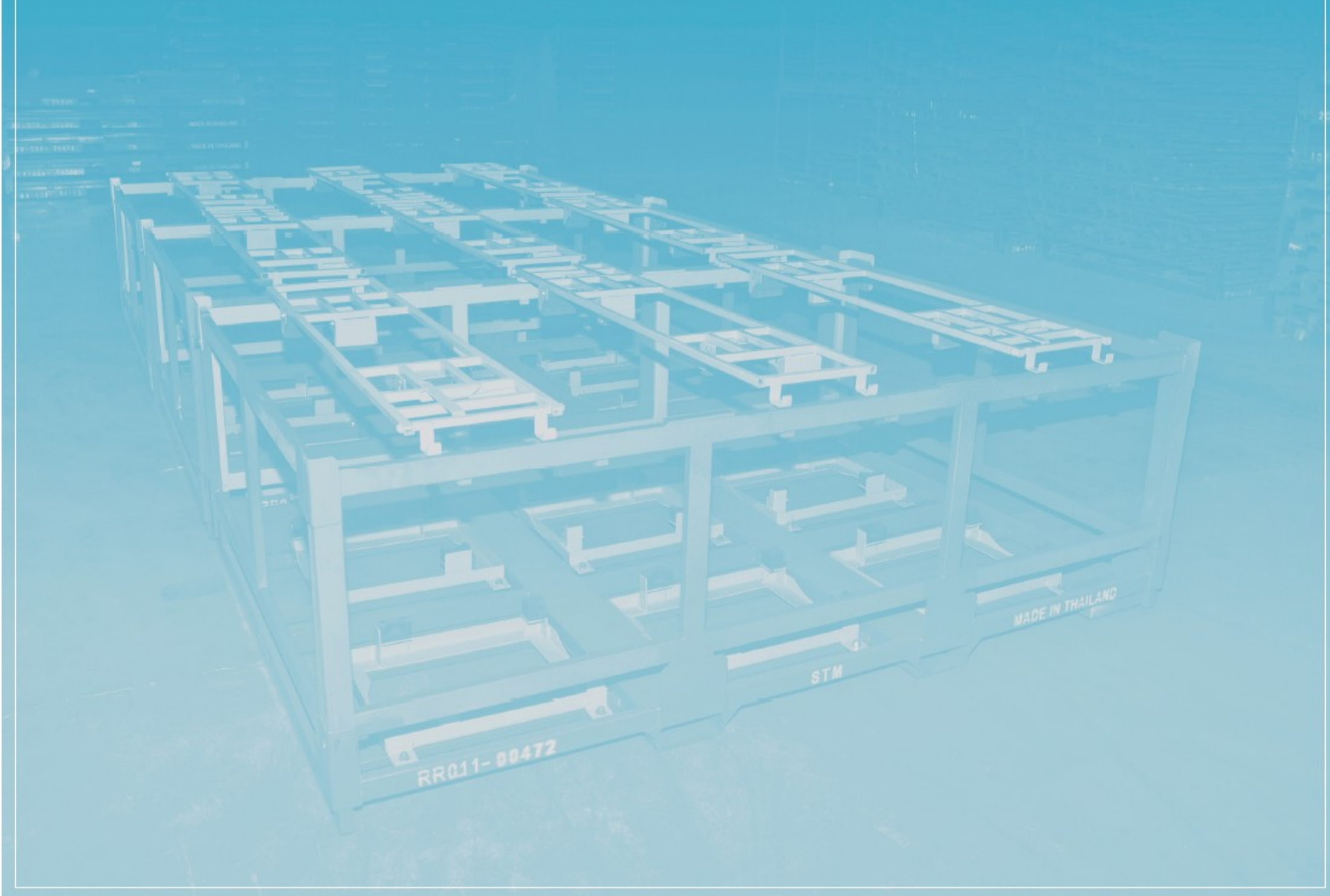
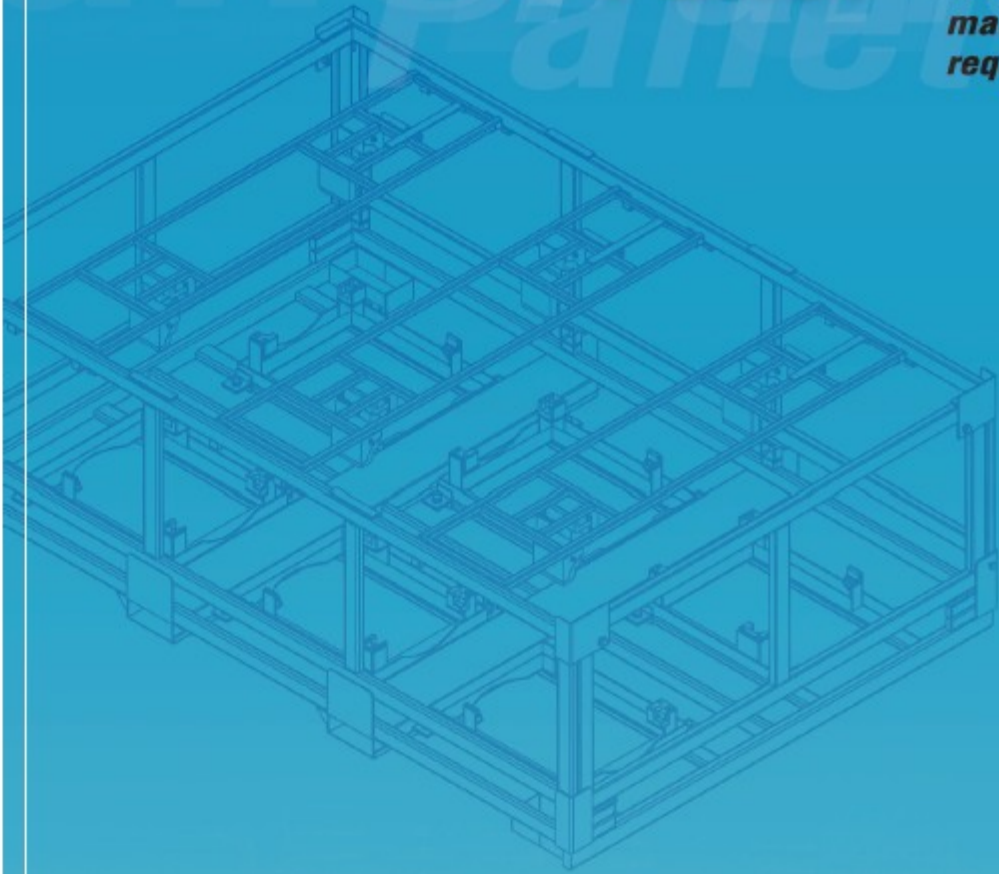
Experts in handling machine, special machine. UNICAL is committed to complete customer service and satisfaction. We accomplish this by providing innovative and high quality equipment for "Solutions that Work", improving safety, efficiency.



UNICAL

Pallet

*Pallet is another product line in the logistic segment market. We have highly experience and capability to design, fabricate and maintenance any kind pallet to service customer **JIT, KANBAN** requirement*



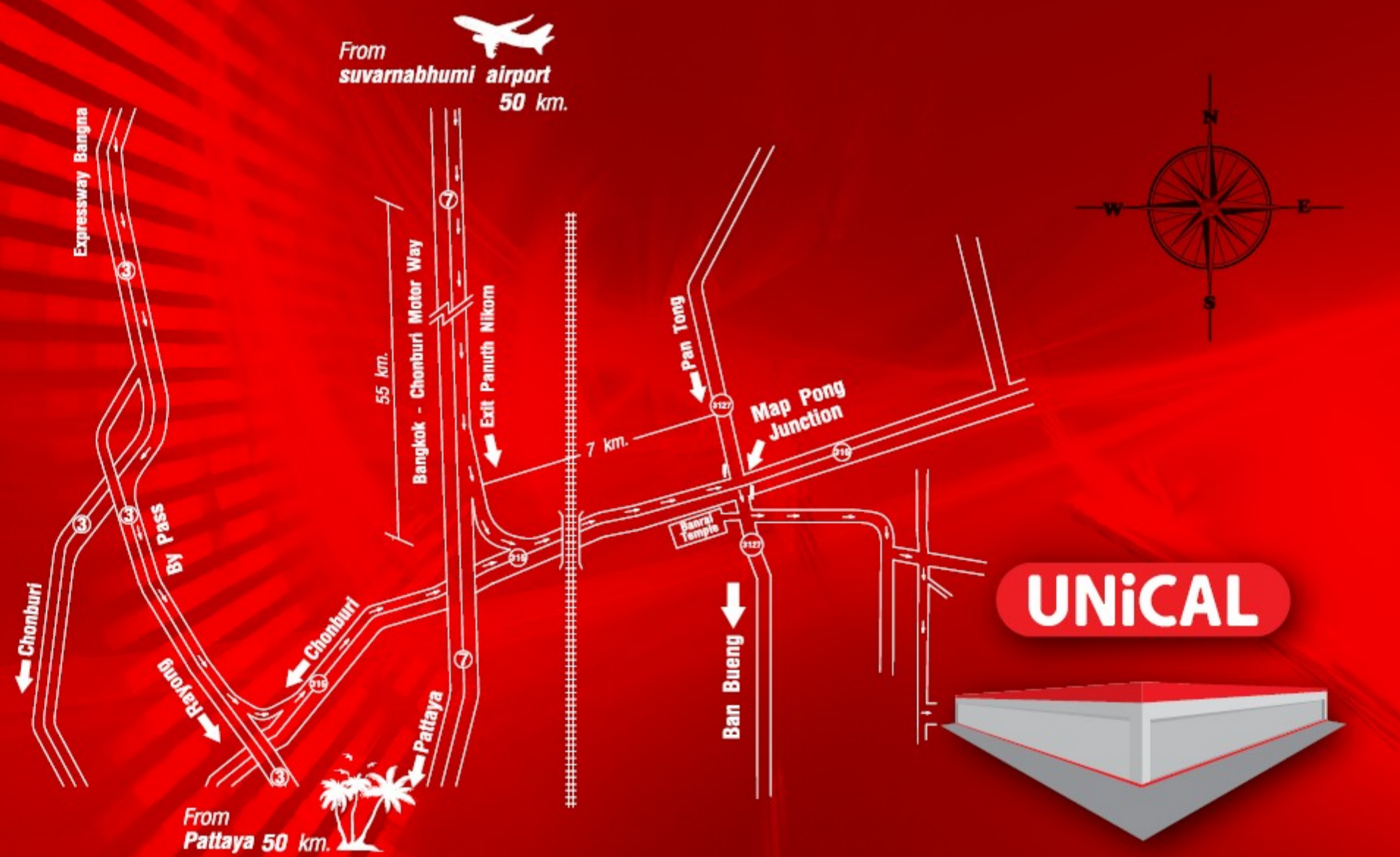
UNICAL

Jig and Fixture Design Service

UNICAL has specialized in assisting our customers in jigs and fixtures. Our team of experienced problem solvers can help with your companies automation and workflow issues.

*Our qualified personnel are specialized in the design of prototype parts and the development of all kinds of making or exceeding requirements. We use the latest **CAD/CAM** software for all the design and preparation of the manufacturing and assembly plans.*





UNICAL WORKS CO., LTD.
 97,99 Moo 4 Tambol Mabpong Amphue Pantong
 Chonburi 20160 Thailand
 Tel. (66 3) 845-2914-6 Fax. (66 3) 845-2917
www.unicalworks.com
 gps coordinates 13.458816 N 101.159536 E